



Inline mixed-flow fan

Turbo-E

Air capacity – up to 970 m³/h

■ Use

- ❑ Supply and exhaust ventilation systems installed in various premises.
- ❑ Mounting in kitchens, bathrooms and other humid premises.
- ❑ Ventilation air ducts requiring high pressure, powerful air flow and low noise level.
- ❑ Compatible with Ø100 up to 250 mm round air ducts.

■ Design

- ❑ Casing made of impact- and corrosion-resistant ABS plastic (Ø100-200) or polypropylene of low-flammability (Ø250).
- ❑ Ventilation unit with terminal box. Can be turned to any position.
- ❑ Special casing design permits easy dismantling of the impeller and motor block for fan servicing without dismantling the air duct.

■ Motor

- ❑ Double-speed single-phase motor on ball bearings.
- ❑ Equipped with thermal overload protection.

■ Speed control

- ❑ The built-in switch (option **US**) or external switch for multi-speed fans (available upon separate order) are used to select one of two capacity modes.
- ❑ Smooth speed control is possible with a built-in speed controller (option **FR**) or an external thyristor speed controller (available upon separate order).

■ Mounting

- ❑ Due to compact design the fan is the ideal solution for mounting in limited spaces, including space behind a false ceiling.
- ❑ The fan can be installed in any section of the ventilation system from intake to the end of the ductworks.
- ❑ Wall or ceiling mounting with a mounting plate.

- ❑ **TD** – mounting kit for installation of one diameter fans in parallel (for boosting capacity)



- ❑ **TL** – mounting kit for installation of one diameter fans in series (for boosting pressure).



■ Modifications and options

- **T** – adjustable run-out timer regulated from 2 to 30 minutes.
- **US** – three-position speed switch integrated in the fan.



- **FR** – built-in smooth speed controller from 0 to 100%. The fan is supplied with a pre-wired power cable with IEC plug as a standard. The cable modification with a standard electric plug is also available (**FR1**).



- **G** – smooth speed controller with an electronic thermostat and an external temperature sensor that is fixed on 4 m power cable. The fan is

supplied with a pre-wired power cable with IEC plug as a standard. The cable modification with a standard electric plug is also available (**G1**).

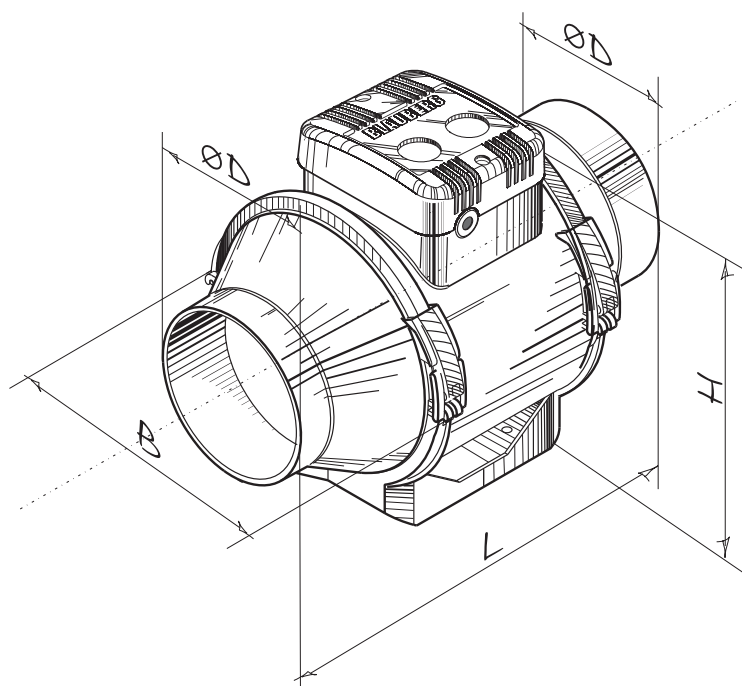


- **G1** – smooth speed controller with an electronic thermostat and a temperature sensor integrated into the air duct. The fan is supplied with a pre-wired power cable with IEC plug as a standard. The cable modification with a standard electric plug is also available (**G11**).
- The options **G** and **G1** are used for automatic speed control depending on indoor temperature. The best ventilation solution for premises requiring permanent temperature control as greenhouses, orangeries, etc.

- **W** – the fan is equipped with a pre-wired power cable and IEC plug as a standard. Modification with a standard electric plug is available (**W1**).
- **max** – high-powered motor.

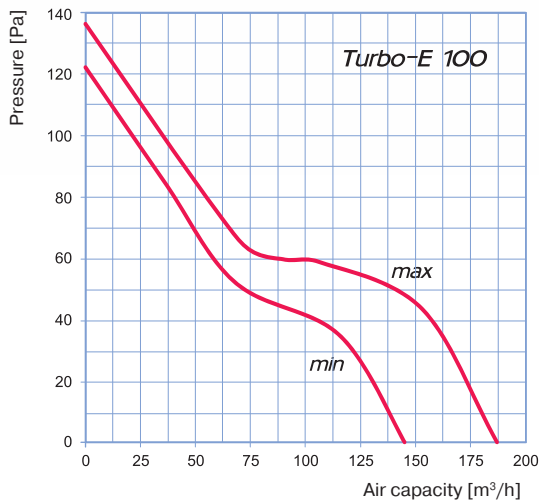
■ Overall dimensions

Type	Dimensions [mm]				Weight [kg]
	∅D	B	H	L	
Turbo-E 100	96	167	190	246	1,4
Turbo-E 125	123	167	190	246	1,4
Turbo-E 125 max	123	223	265	295	3,0
Turbo-E 150	146	223	265	295	3,0
Turbo-E 160	158	233	265	295	3,0
Turbo-E 250	247	287	323	383	8,3

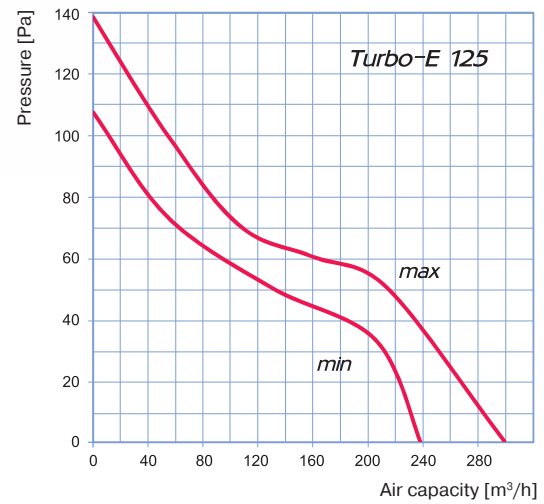


Specifications

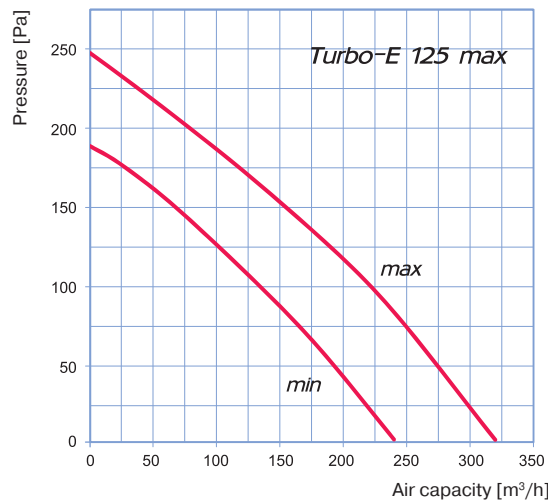
Parameters	Turbo-E 100		Turbo-E 125		Turbo-E 125 max	
	min	max	min	max	min	max
Speed	min	max	min	max	min	max
Voltage [V / 50 /60 Hz]	1~ 230		1~ 230		1~ 230	
Power [W]	21	33	23	37	28	54
Current [A]	0,11	0,21	0,18	0,27	0,12	0,16
Maximum air capacity [m ³ /h]	145	187	220	280	240	320
RPM [min ⁻¹]	2180	2385	1950	2455	1850	2510
Sound pressure level at 3 m distance [dBA]	27	36	28	37	31	42
Max. operating temperature [°C]	60		60		60	
Ingress protection rating	IP X4		IP X4		IP X4	



Sound-power level	Octave-frequency band [Hz]								
	Gen	63	125	250	500	1000	2000	4000	8000
L _{WA} to inlet, dBA	53	26	23	41	46	50	47	41	31
L _{WA} to outlet, dBA	54	27	27	43	47	50	42	42	29
L _{WA} to environment, dBA	41	23	22	26	34	39	29	29	19



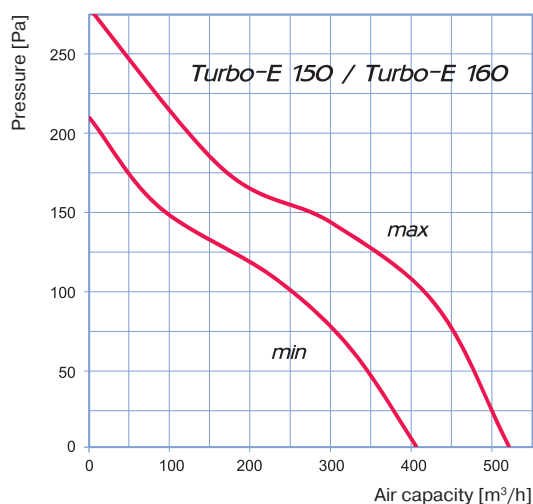
Sound-power level	Octave-frequency band [Hz]								
	Gen	63	125	250	500	1000	2000	4000	8000
L _{WA} to inlet, dBA	57	28	27	45	52	54	55	43	35
L _{WA} to outlet, dBA	59	28	32	47	50	54	53	47	36
L _{WA} to environment, dBA	43	23	27	31	36	44	37	31	22



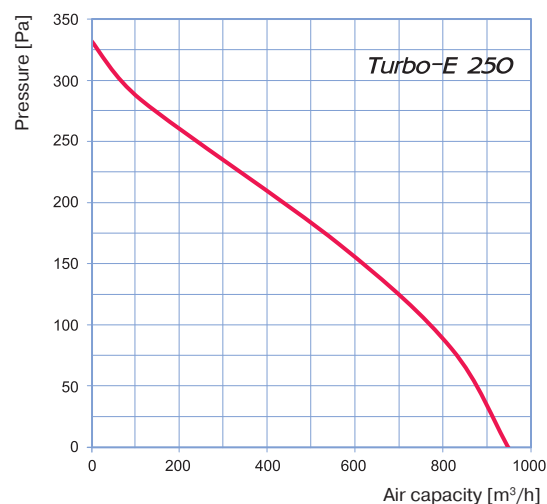
Sound-power level	Octave-frequency band [Hz]								
	Gen	63	125	250	500	1000	2000	4000	8000
L _{WA} to inlet, dBA	60	31	34	49	51	57	60	46	38
L _{WA} to outlet, dBA	61	36	32	51	52	58	56	48	37
L _{WA} to environment, dBA	50	27	29	36	41	46	37	33	28

■ Specifications

Parameters	Turbo-E 150 / Turbo-E 160		Turbo-E 250
	min	max	–
Speed	min	max	–
Voltage [V / 50 /60 Hz]	1~ 230		1~ 230
Power [W]	30	60	120
Current [A]	0,17	0,27	0,52
Maximum air capacity [m ³ /h]	405	520	970
RPM [min ⁻¹]	1680	2460	1880
Sound pressure level at 3 m distance [dBA]	33	44	45
Max. operating temperature [°C]	60		60
Ingress protection rating	IP X4		IP X4



Sound-power level	Octave-frequency band [Hz]								
	Gen	63	125	250	500	1000	2000	4000	8000
L _{WA} to inlet, dBA	69	38	40	57	60	58	69	55	45
L _{WA} to outlet, dBA	68	42	44	58	61	62	64	55	45
L _{WA} to environment, dBA	53	36	37	41	46	52	49	39	24



Sound-power level	Octave-frequency band [Hz]								
	Gen	63	125	250	500	1000	2000	4000	8000
L _{WA} to inlet, dBA	73	42	49	58	65	64	70	57	49
L _{WA} to outlet, dBA	71	47	49	59	65	67	68	60	51
L _{WA} to environment, dBA	60	41	45	42	53	55	51	45	30